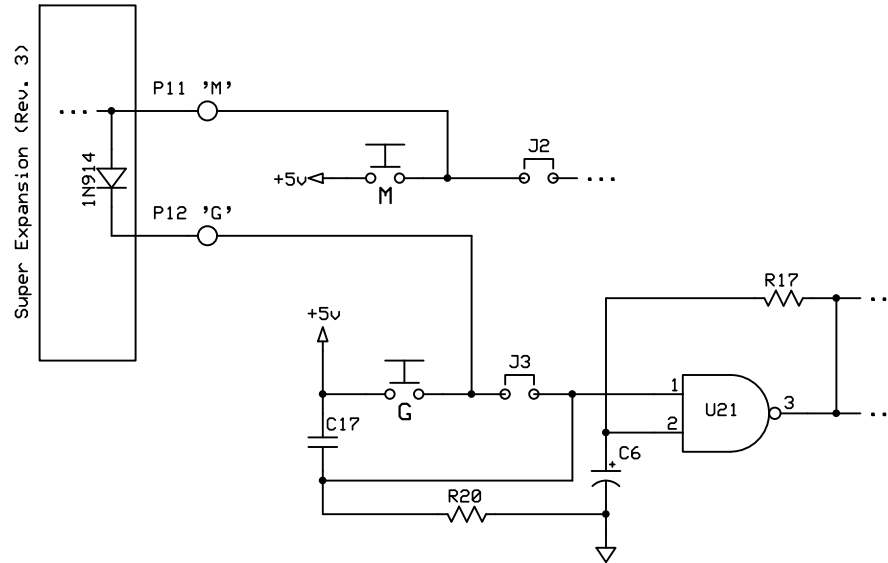
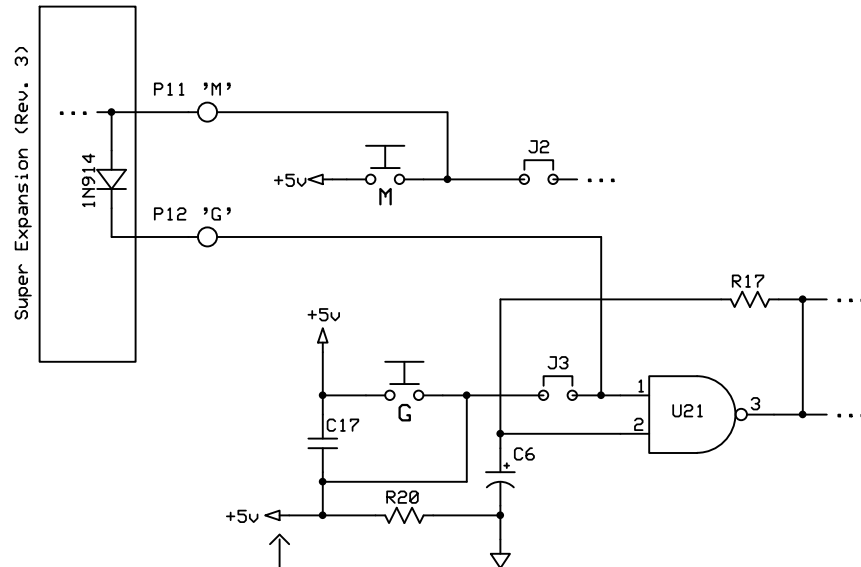


Rev. 4 (and 2) Actual Board Layout:



Rev. 4 Schematic:



Schematic error!